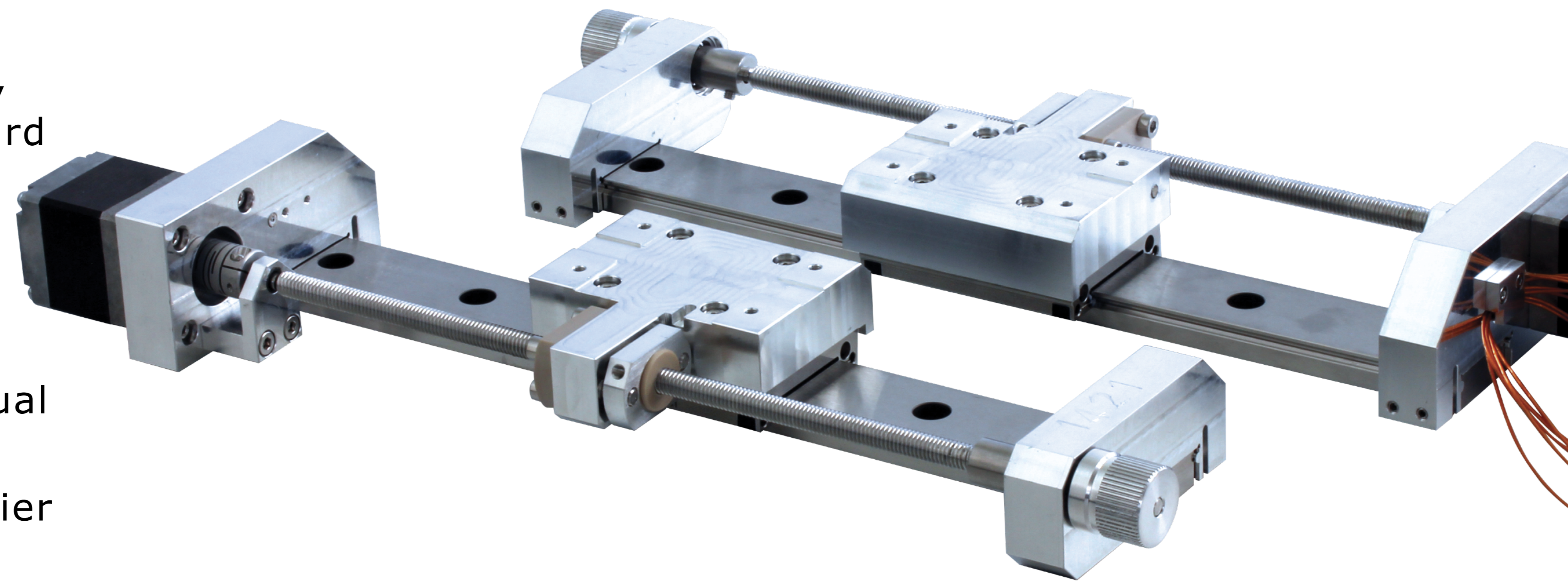


# FlatRail eXtreme

FlatRail eXtreme linear translation stages are designed to run in extreme environmental conditions such as Vacuum, and Ultra High Vacuum and radiation exposure.

The low profile design, offered in two sizes, provides high stiffness with several standard available travel ranges. This essential and reliable design matches high load capacity with sub-micron minimum incremental motion and high repeatability.

Two micro switches and hard stops, a manual knob allows to move the stage manually while the motor is off. Optional double carrier improves load and movement capacity (eg. for multi axes assemblies). These stages can be equipped with linear encoder systems either incremental or absolute.



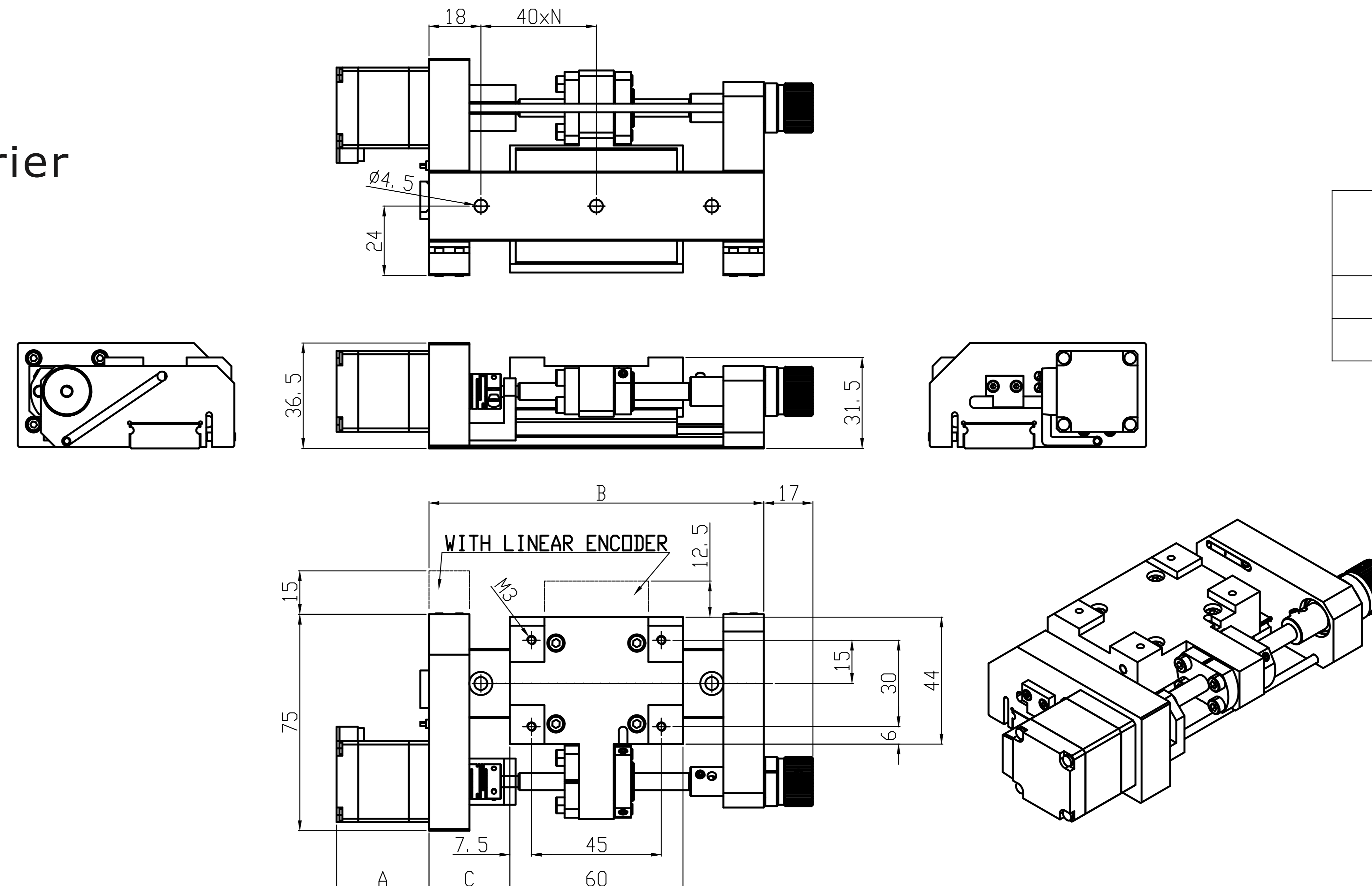
## FlatRail eXtreme Motorized linear stages

- low profile
- UHV, RAD Hard and Cryo
- lubricant-free drive
- lead-crew with preloaded nut
- stroke from 15 to 450
- closed loop option
- double carrier option

## FRX-S-1

FlatRail Small size with single carrier

Stroke	B	C	N
25	116	28	2
65	156	48	3
105	196	68	4
145	236	88	5
185	276	108	6
225	316	128	7
265	356	148	8



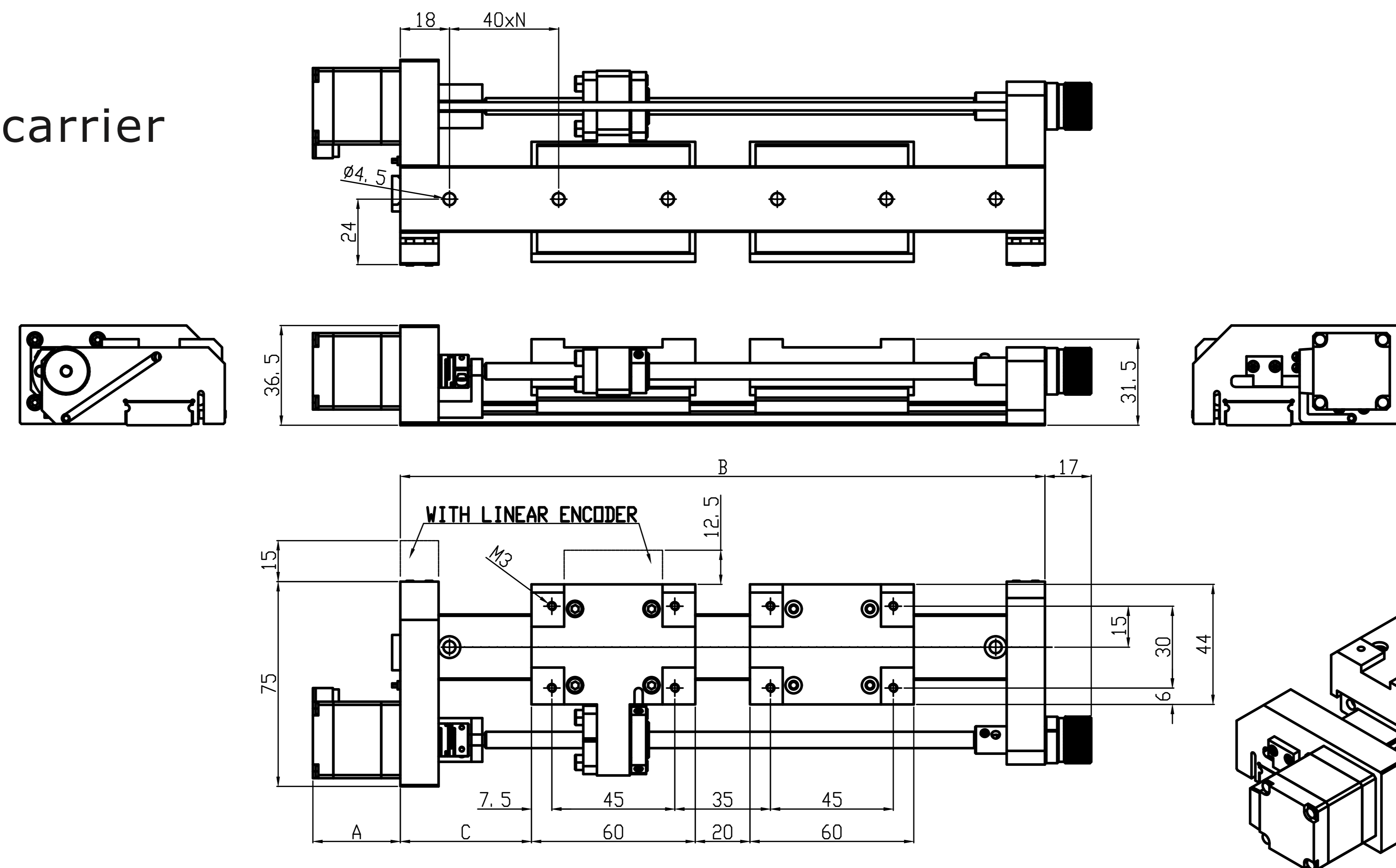
Motor type	A
V	32
HV or UHV	38



# FRX-S-2

FlatRail Small size with double carrier

Stroke	B	C	N
65	236	48	6
105	276	68	6
145	316	88	7
185	356	108	8

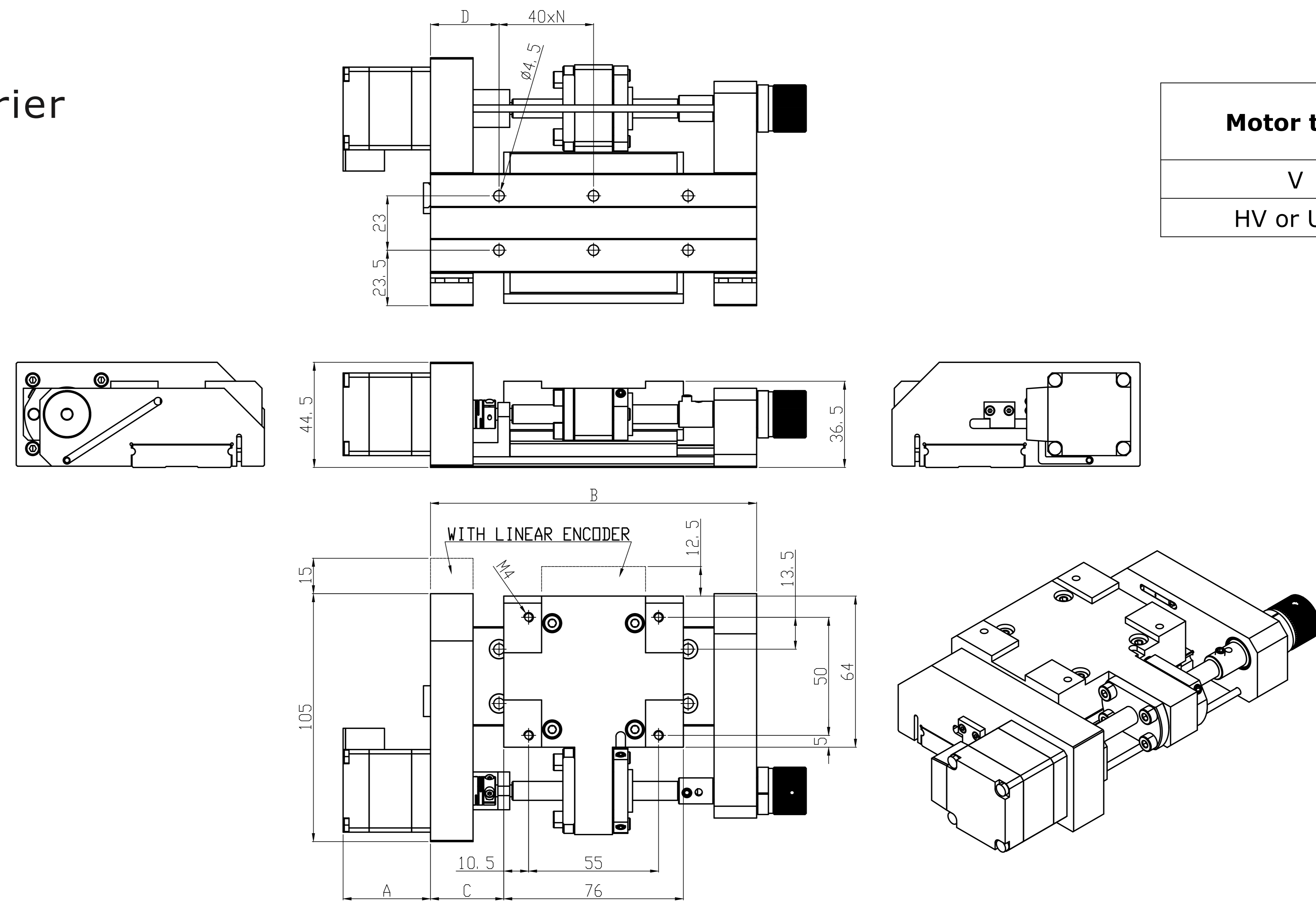


Motor type	A
V	32
HV or UHV	38

# FRX-M-1

FlatRail Medium size with single carrier

Stroke	B	C	D	N
25	138	31	29	2
50	164	44	22	3
90	204	64	22	4
130	244	84	22	5
170	284	104	22	6
210	324	124	22	7
250	364	144	22	8
290	404	164	22	9
330	444	184	22	10
370	484	204	22	11
410	524	224	22	12



Motor type	A
V	32
HV or UHV	38

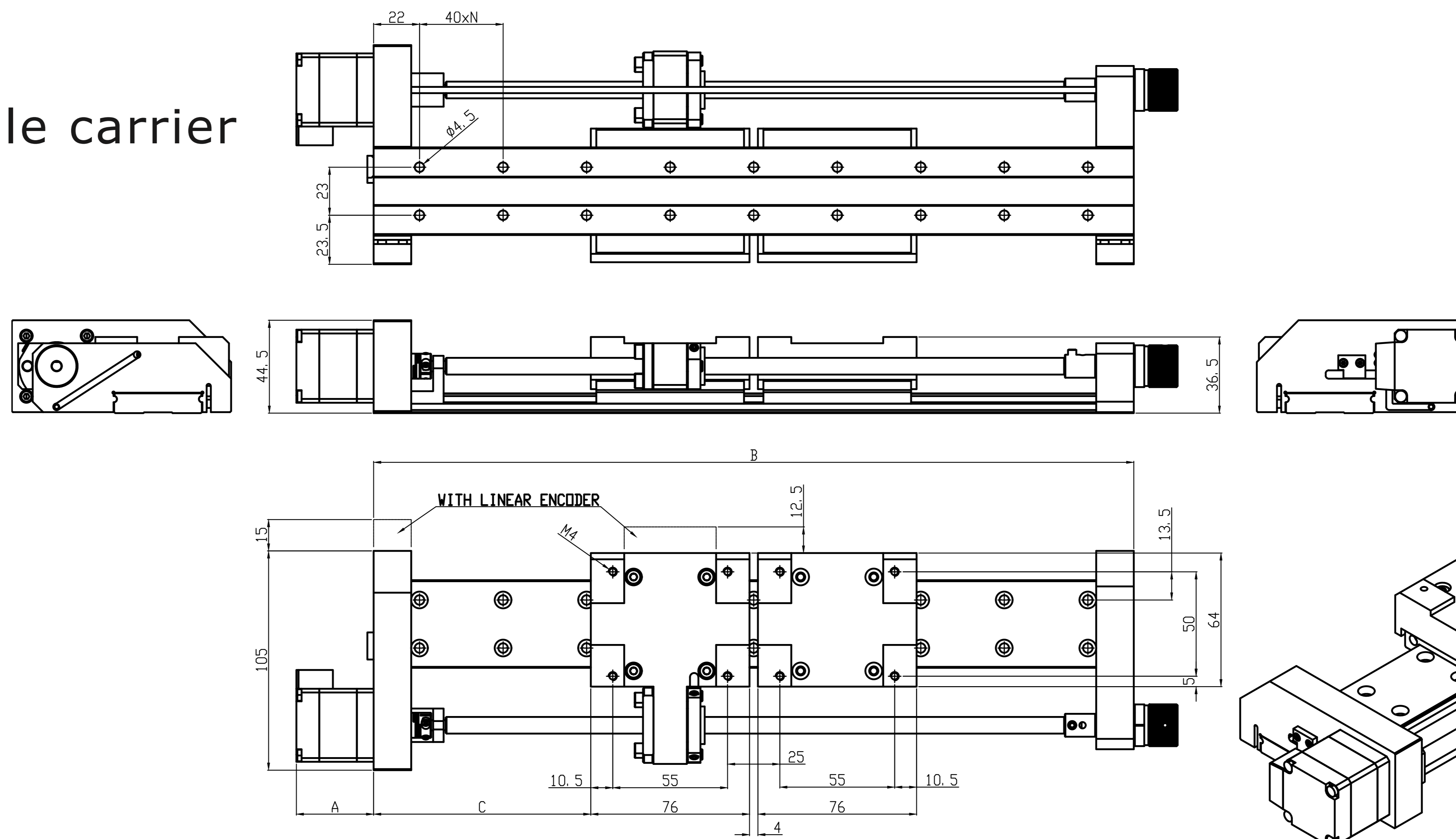




# FRX-M-2

FlatRail Medium size with double carrier

Stroke	B	C	N
170	364	104	8
210	404	124	9
250	444	144	10
290	484	164	11
330	524	184	12

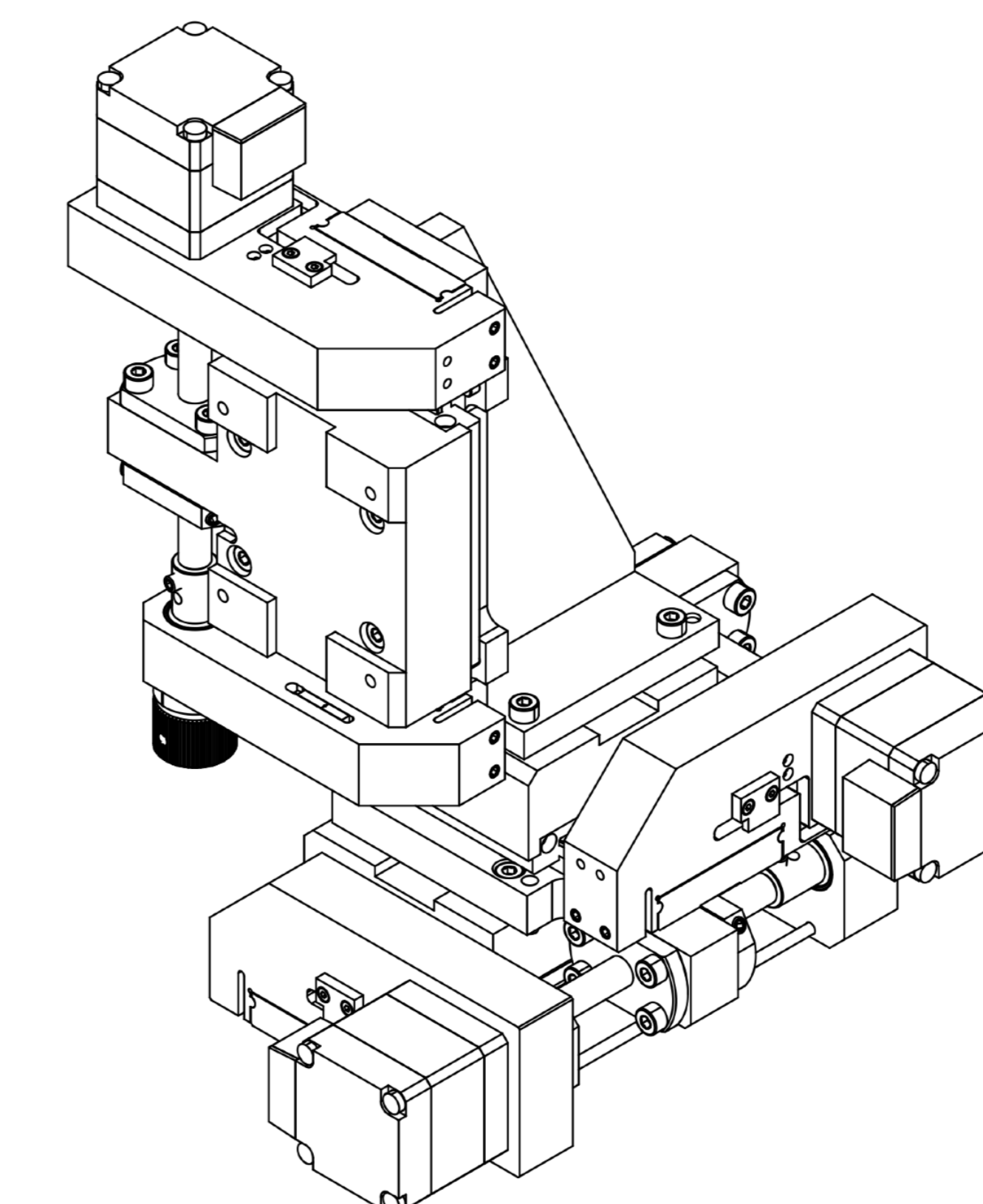
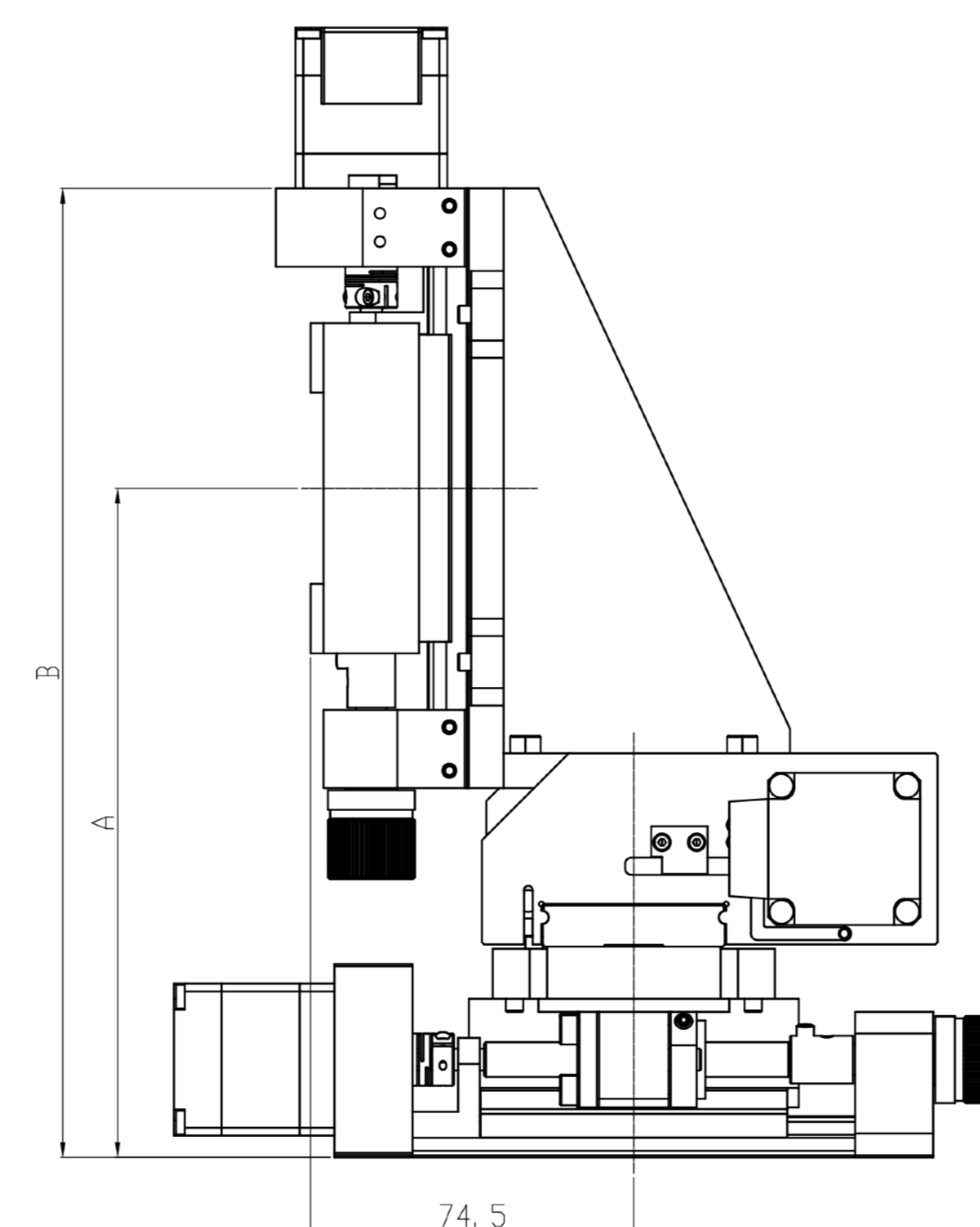
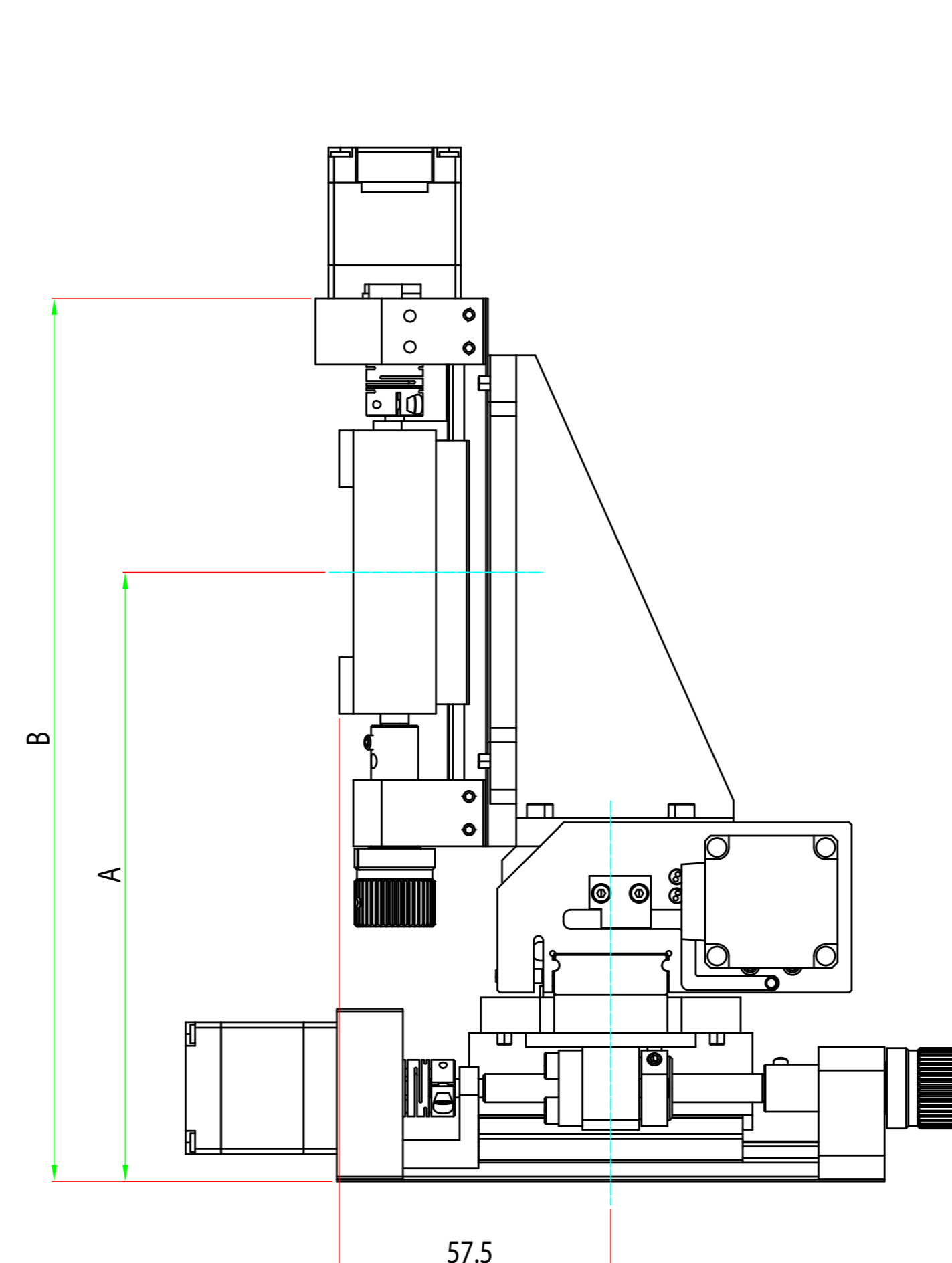
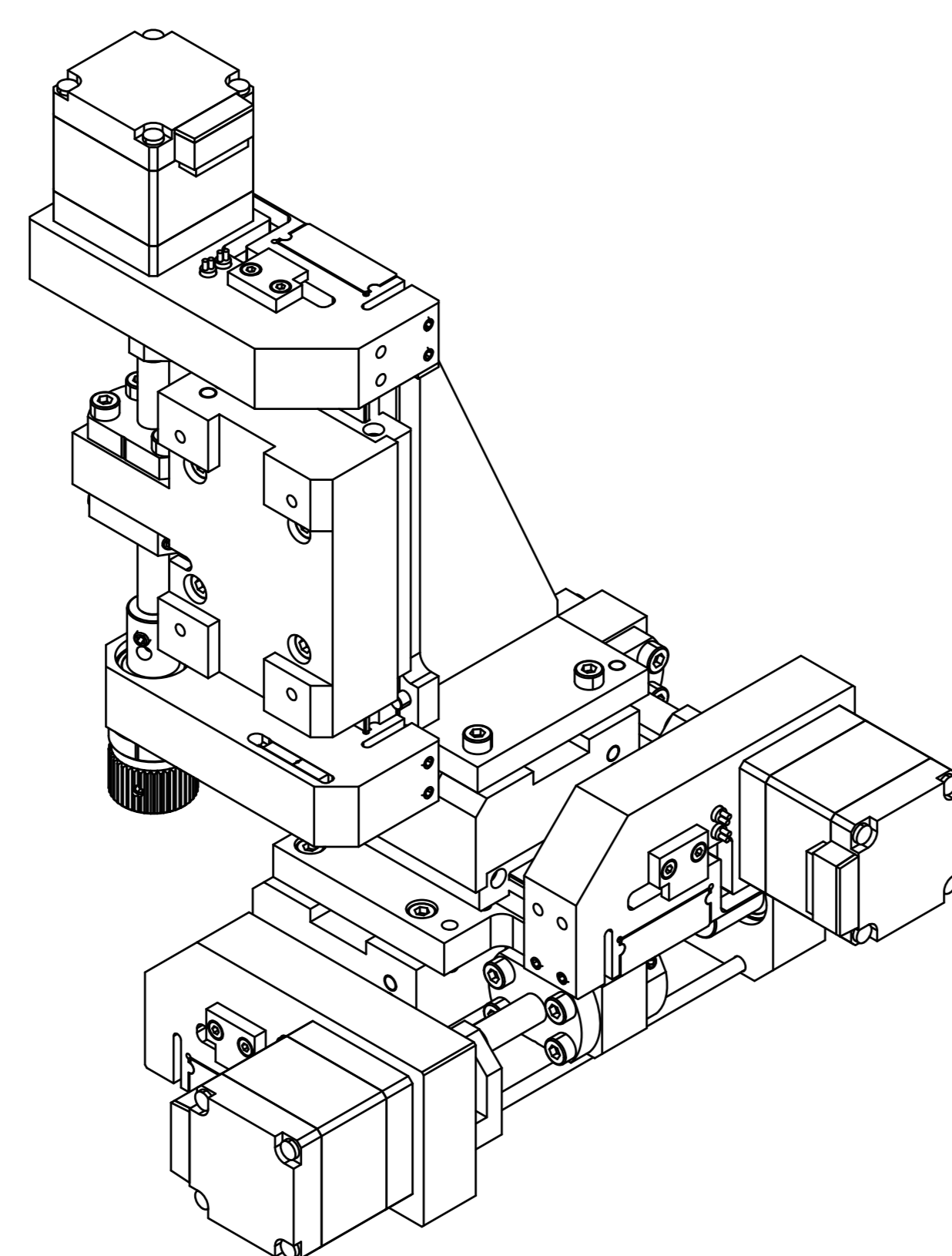


Motor type	A
V	37
HV or UHV	54

# FRX-S-xyz

FlatRail Small size xyz configuration

Stroke	A	B
25	129	187
65	149	227
105	169	267
145	189	307
185	209	347
225	229	387
265	249	427



## FlatRail series Ordering Information

Flat Rail	Size	Carriers	Stroke	Motor
FR	S	1	25/65/105/145/185/225/265	V HV or UHV
		2	65/105/145/185	V HV or UHV
	M	1	25/50/90/130/170/210/250/290/330/370/410	V HV or UHV
		2	170/210/250/290/330	V HV or UHV

e.g.:

**FR-S-2-145-HV** = Flat Rail Small size, double carrier, 145mm stroke with HV motor;

**FR-M-1-50-UHV-XYZ** = Flat rail Medium size, single carrier, 50mm stroke, UHV motor, XYZ configuration

# FRX-M-xyz

FlatRail Medium size xyz configuration

Stroke	A	B
25	154	223
50	167	249
90	187	289
130	207	329
170	227	369
210	247	409
250	267	449
290	287	489
330	307	529
370	327	569
410	347	609





# Questionnaire

Fill in this questionnaire and mail it to [ufficiovendite@vacuumfab.it](mailto:ufficiovendite@vacuumfab.it) to get our consultancy for the positioning system design, free of charges:

## CUSTOMER'S REFERENCE

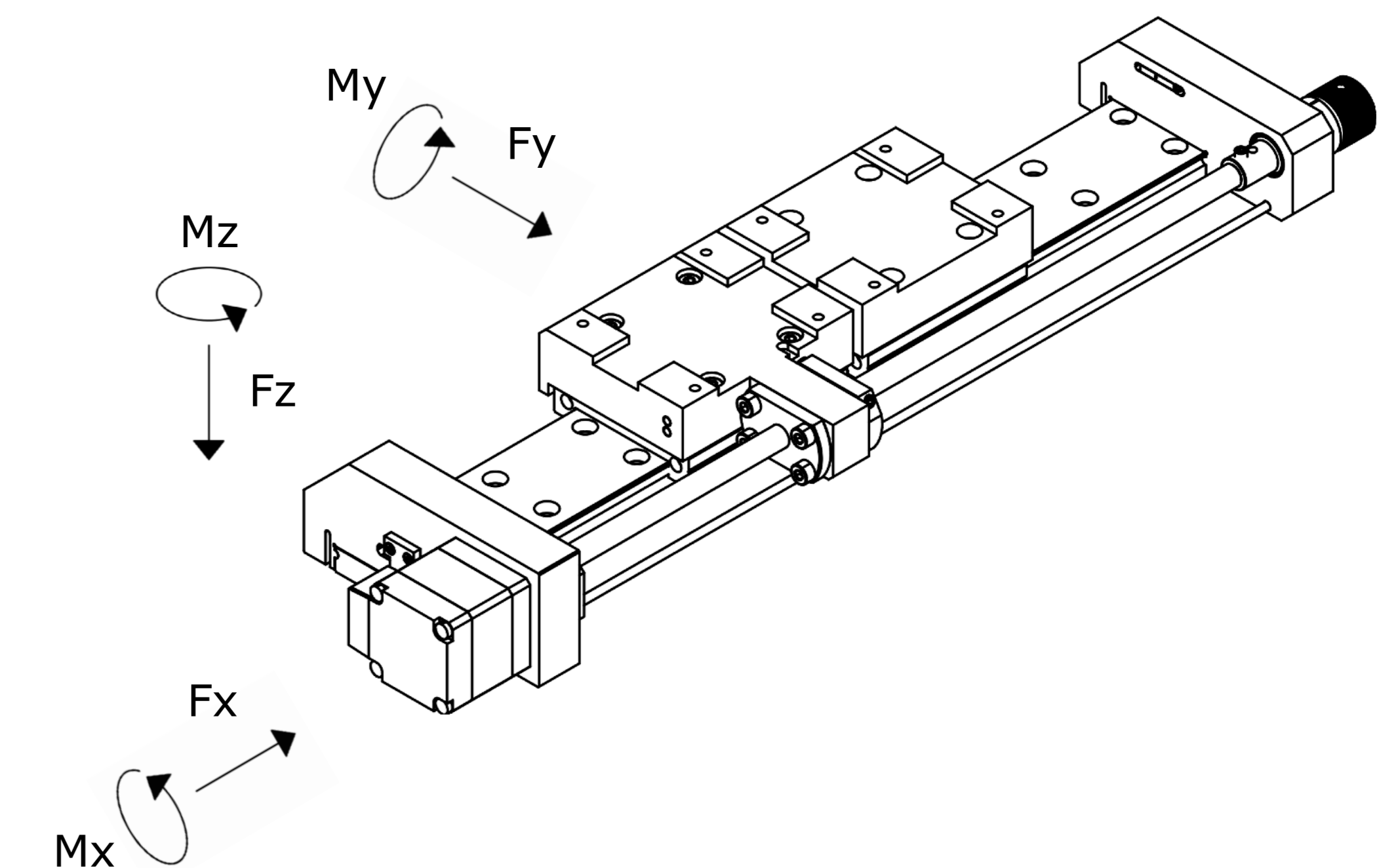
Name, surname:  
Phone Number:

Institute/company:  
Email:

## WEIGHT/SPECIMEN INFORMATION

Dimensions (mm):  
Shape: (description or better attach drawing)  
Weight (g):  
Center of gravity coordinates from the center of the carrier (mm):  
Notes:

length	width	height
X	Y	Z



## POSITIONING REQUIREMENT

Travel range required (mm):  
Positioning resolution required ( $\mu\text{m}$ ):  
Repeatability required ( $\mu\text{m}$ ):  
Applied force (N):  
Applied Moment (Nm):  
Speed required (mm/s):  
Acceleration required ( $\text{mm/s}^2$ ):  
Duty Cycle:  
Other degrees of freedom required: please specify and possibly add a sketch and a description of the application

<input type="checkbox"/> uni-directional	<input type="checkbox"/> bi-directional
Fx	Fy
Mx	My

Fz  
Mz

## WIRING REQUIREMENT

Cable length in air from the mechanics to the controller (m):

## CONTROLLER REQUIREMENT

Motion control type:  
Positioning application type:  
Computer connection port:  
Software compatibility:

<input type="checkbox"/> point to point	<input type="checkbox"/> linear interpolation	<input type="checkbox"/> contouring
<input type="checkbox"/> high resolution	<input type="checkbox"/> high repeatability	
<input type="checkbox"/> Ethernet	<input type="checkbox"/> USB	<input type="checkbox"/> other (specify)
<input type="checkbox"/> DLL	<input type="checkbox"/> LabVIEW	<input type="checkbox"/> EPICS
		<input type="checkbox"/> TANGO

Notes:

Date and signature: